

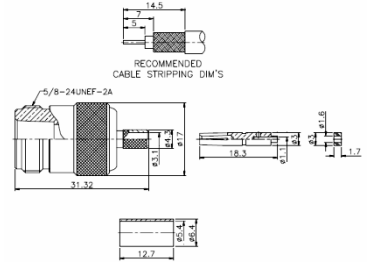
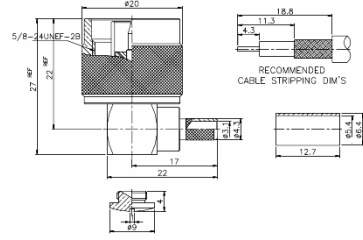
RF CONNECTORS / N

RNPC01R

DIMENSIONS

RNJCO1

DIMENSIONS



N PLUG
CRIMP
RIGHT ANGLE

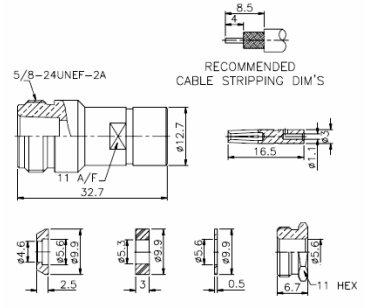
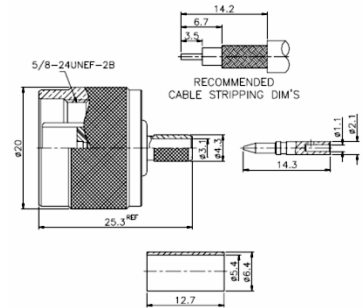
N JACK
CRIMP
STRAIGHT

RNPC01

DIMENSIONS

RNJL01

DIMENSIONS



N PLUG
CRIMP
STRAIGHT

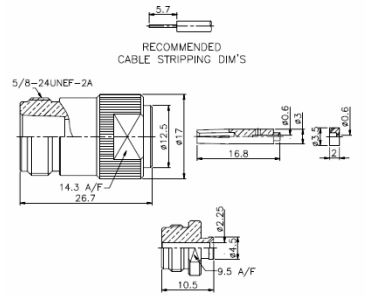
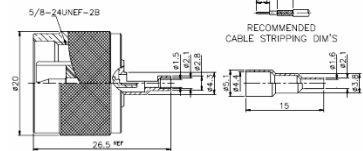
N JACK
CLAMP
STRAIGHT

RNPC02

DIMENSIONS

RNJS01

DIMENSIONS



N PLUG
CRIMP
STRAIGHT

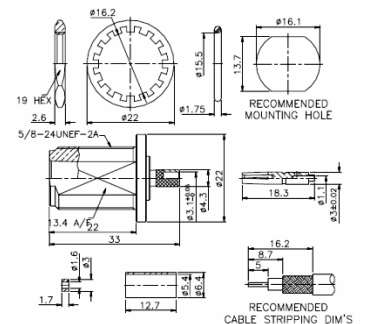
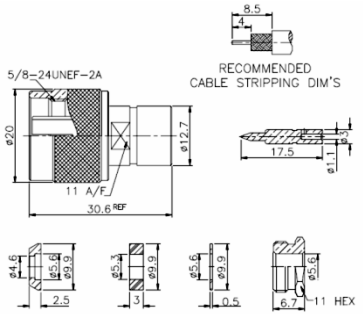
N JACK
DIRECT SOLDER
STRAIGHT

RNPL01

DIMENSIONS

RNJCB01

DIMENSIONS



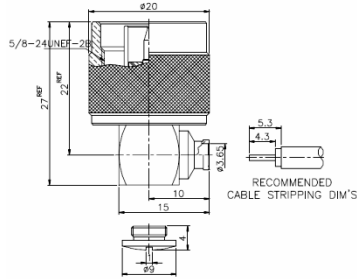
N PLUG
CLAMP
STRAIGHT

N JACK
CRIMP
BULKHEAD

RF CONNECTORS / N

RNPS01R

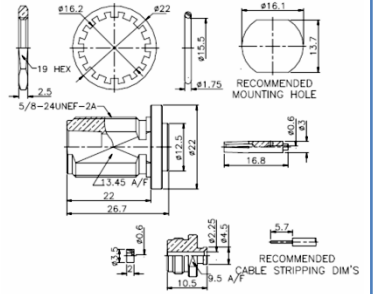
DIMENSIONS



**N PLUG
DIRECT SOLDER
RIGHT ANGLE**

RNJSB01

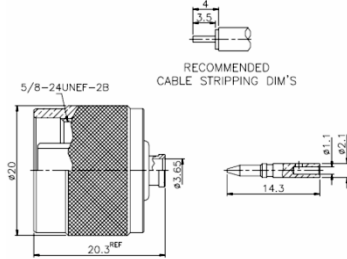
DIMENSIONS



**N JACK
DIRECT SOLDER
BULKHEAD**

RNPS01

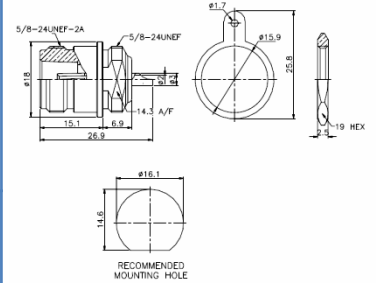
DIMENSIONS



**N PLUG
DIRECT SOLDER
STRAIGHT**

RNSJ01

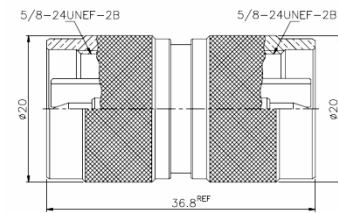
DIMENSIONS



**N JACK
RECEPT
BULKHEAD**

RANP9NP

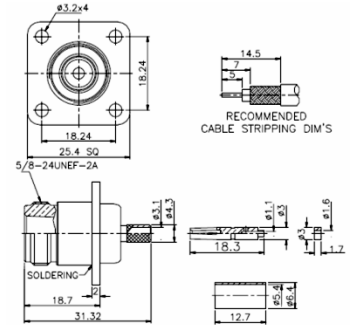
DIMENSIONS



**N ADAPTOR
PLUG TO PLUG
STRAIGHT**

RNJCP01

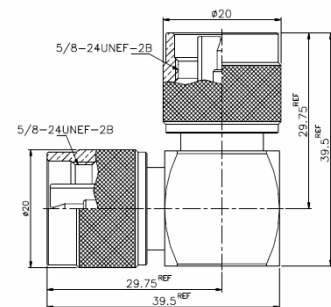
DIMENSIONS



**N JACK CRIMP
PANEL MOUNT
STRAIGHT**

RANP9NPR

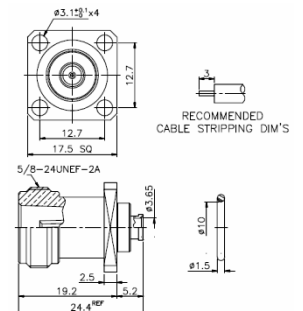
DIMENSIONS



**N ADAPTOR
PLUG TO PLUG
RIGHT ANGLE**

RNJSP01

DIMENSIONS

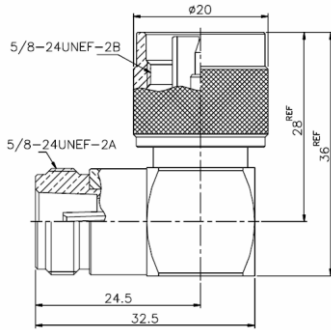


**N JACK SOLDER
PANEL MOUNT
STRAIGHT**

RF CONNECTORS / N

RANP9NJR

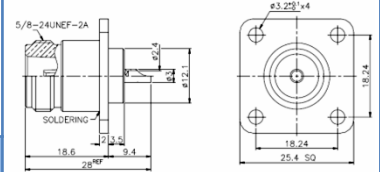
DIMENSIONS



N ADAPTOR
PLUG TO JACK
RIGHT ANGLE

RNJP01

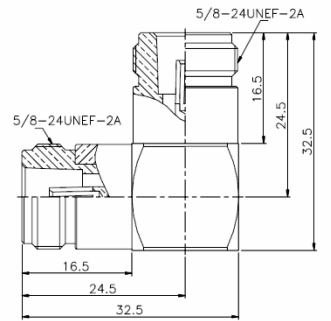
DIMENSIONS



N JACK RECEPT
PANEL MOUNT
STRAIGHT

RANJ9NJR

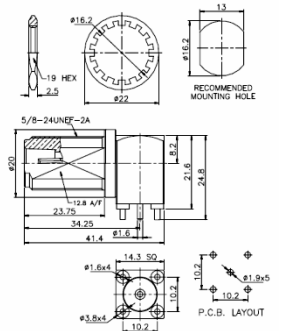
DIMENSIONS



N ADAPTOR
JACK TO JACK
RIGHT ANGLE

RNJMB01R

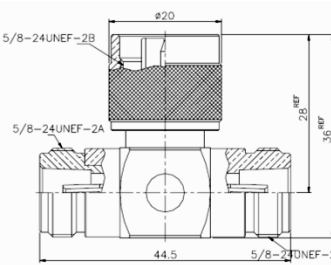
DIMENSIONS



N JACK BULKHEAD
P.C.B. MOUNT
RIGHT ANGLE

RANP92NJT

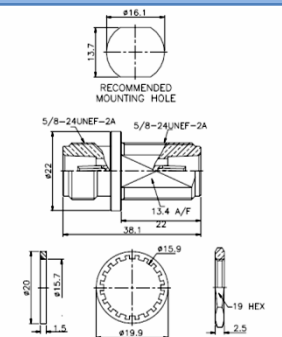
DIMENSIONS



N ADAPTOR
PLUG TO 2 JACK
T LINK

RANJ9NJB

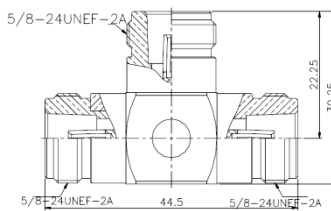
DIMENSIONS



N ADAPTOR
JACK TO JACK
BULKHEAD

RANJ92NJT

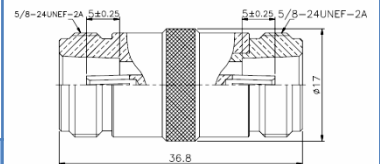
DIMENSIONS



N ADAPTOR
JACK TO 2 JACK
T LINK

RANJ9NJ

DIMENSIONS



N ADAPTOR
JACK TO JACK
STRAIGHT